

RT18


Low voltage fuse

OPERATION INSTRUCTION

Standard: IEC 60269

CNC

Deliver
Power For Better Life

-  Before installing and using this product, please read this manual carefully and pay more attention to safety.

1 General

RT18 Cylindrical contact caps fuse protector is applicable to the distribution equipment with AC 50Hz, rated voltage of 500V and rated current not more than 125A for circuit overload and short-circuit protection (NT fuse protector is recommended to be used in capacitor box instead of this kind of fuse protector). Neon light and resistors constitute fusing signal device of fuse link of fuse protector pedestal (symbol "X"). RT18 fuse link is divided into "gG" and "aM" type; "gG" is ordinary fuse protector with full range of breaking capacity, while "aM" is fuse protector for the protection of motor with partial breaking capacity.

2 Operating conditions

2.1 Ambient air temperature $-5^{\circ}\text{C}\sim+40^{\circ}\text{C}$ (with daily average $\leq 35^{\circ}\text{C}$)

2.2 Altitude: $\leq 2000\text{m}$.

2.3 Air conditions: At mounting site, relative humidity not exceed 50% at the maximum temperature of $+40^{\circ}\text{C}$. For the wettest month, the maximum relative humidity averaged shall be 90% while the lowest temperature averaged in that month is $+20^{\circ}\text{C}$, special

measures should be taken to occurrence of condensation.

2.4 The installation category is III.

2.5 The circuit breaker shall be installed on DIN rail EN 60715(35mm), which shall meet the A1.1 TH 35-7.5 steel mounting rail requirements.

2.6 Pollution grade: 3

2.7 Mounting conditions: inclination between mounting plane and vertical plane not exceed $\pm 5^\circ$.

2.8 The product should locate in the places where there are no obvious impact and shake.

3 Structural features and working principle

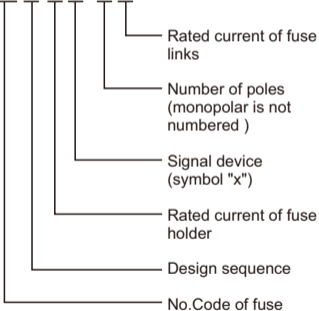
A fuse is composed of a fuse holder and a fuse. The fuse holder is composed of a fuse carrier, a base, a base contact, a fuse indicator, etc. The fuse link is composed of melting tube, melt, quartz sand, cylindrical cap and so on. When the fuse is installed in the circuit and the current passing through the fuse exceeds a certain value for a sufficient time, the melt in the fuse will be fused, and the quartz sand in the fuse tube will extinguish the arc generated when the melt is fused, so as to

disconnect the circuit.

For fuses equipped with fuse indicators, when the fuse is blown, the light-emitting diode on the fuse indicator will light up, indicating that the fuse has been blown.

4 Type designation

RT 18 □ □ / □ □

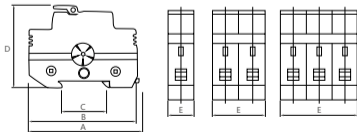


5 Technical Parameters

RT18

Type	Assorted fuse	Rated voltage (V)	Rated current (A)	Dimension (mm)				
				A	B	C	D	E
RT18-32 (32X) 1P	10 × 38	380	32	82	78	35	63	18
RT18-32 (32X) 2P			32	82	78	35	63	36
RT18-32 (32X) 3P			32	82	78	35	63	54
RT18-63 (63X) 1P	14 × 51		63	106	103	35	80	26
RT18-63 (63X) 2P			63	106	103	35	80	52
RT18-63 (63X) 3P			63	106	103	35	80	78

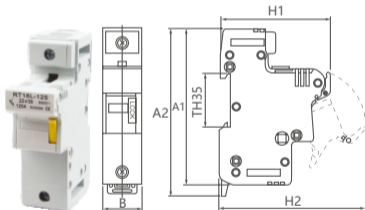
RT18 Overall and mounting dimensions(mm)



RT18L

Type	Assorted fuse	Rated voltage (V)	conventional heating current(A)	Dimension (mm)				
				A1	A2	B	H1	H2
RT18L-63	14 × 51	690	63	108	115	27	78	100
RT18L-125	22 × 58		125	126	134	36	78	104

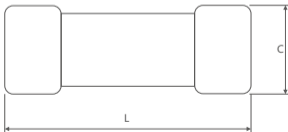
RT18L Overall and mounting dimensions(mm)



Fuse Link

Dimension (mm)	Rated current(A)	Breaking capacity (kA)	L	ΦC
8.5 × 31.5	2,4,6,10,16	100	31.5 ⁺⁰ _{-0.6}	8.5±0.1
10 × 38	2,4,6,10,16, 20,25,32		38±0.6	10.5±0.1
14 × 51	2,4,6,10,16, 20,25,32,40, 50,63		51 ^{+0.6} _{-1.0}	14.3±0.1
22 × 58	10,16,20,25, 32,40,50,63, 80,100		58 ^{+1.0} _{-2.0}	22.2±0.1
30 × 58	63,80,100,125		58 ^{+1.0} _{-2.0}	30±0.1

Fuse Link Overall and mounting dimensions(mm)



6 Installation, use and maintenance of fuses

Fuses should be installed indoors or in a cabinet that will not be attacked by rain and snow, and should not be installed in exposed places that are easy to touch. When installing the fuse, please ensure that the electrical clearance is greater than 8mm and the creepage distance is greater than 10mm. Generally, the fuse should be connected in series in the circuit, and the cross-sectional area of the connecting wire is recommended to be 6mm²/32A, 16mm²/63A, 35mm²/125A. When the fuse link is blown, it must be replaced with a new fuse link of the same model, same size, and rated current as the original fuse link. Do not replace it with copper wire.

The replacement of the fuse should be carried out by professionals using needle-nose pliers with insulating sleeves.

When replacing the fuse, it must be carried out under the condition of no load, preferably when the power is cut off, and the fuse must not be used as a switch to cut off or connect the load. After replacing the fuse, make sure

that the fuse is in good contact with the contacts of the support.

When cutting off the power supply and replacing the fuse, please pay attention to remove the dust and other dirt on the fuse support, so that the fuse is in good working condition.

During operation, the fuse indicator should be checked frequently, so as to detect single-phase or lack-of-phase operation in time.

7 Transport and storage of fuses

During transport and storage, fuses should be protected from rain and snow. The free fall height of the whole box of fuses is not more than 250mm.

The fuses should be stored in a place with good air circulation and a dry environment, and the stacking height should not exceed six layers.

8 Unpacking and inspection of the fuse

After unpacking, first check whether the nameplate of the fuse is consistent with the mark on the packing box, then check whether the rivet on the fuse support is loose or falls

off, and check whether the ceramic tube of the fuse has cracks or cracking, check whether the quartz sand in the fuse body is leaking, check whether the fuse is soaked or invaded by water, if the above conditions are found, the fuse cannot be put into use, and contact with the manufacturer in time.

9 Precautions

Capacitor cabinets are not suitable for using this product. It is recommended that users use the RT16-00 knife-type contact fuse produced by our company on the capacitor cabinet. If the user must use this product on the capacitor cabinet, he should negotiate with the manufacturer. After removing the fuse link of this product, replace it with a new fuse link in time, and do not close the fuse-carrying part when there is no fuse link.

10 Ordering Notes

When ordering a fuse, the model, specification, quantity and the current level of the corresponding fuse should be indicated, as well as whether the indicating device is to be blown and the number of poles of the fuse

should be indicated. Fuse holders and fuse links can be ordered separately. For fuses with special specifications and special current levels, you should negotiate with the manufacturer when ordering.



CERTIFICATE

Product Model: RT18

Standard : IEC 60269

Inspector : **CNC004**

Production date: Printed on the product
or package.

This product is qualified according
to the delivery inspection

CNC

RT 18 series

CNC ELECTRIC

Tel: 0086-577-61989999 Fax: 0086-577-61891122

www.cncele.com E-mail: cncele@cncele.com