

## PvT Series

### General

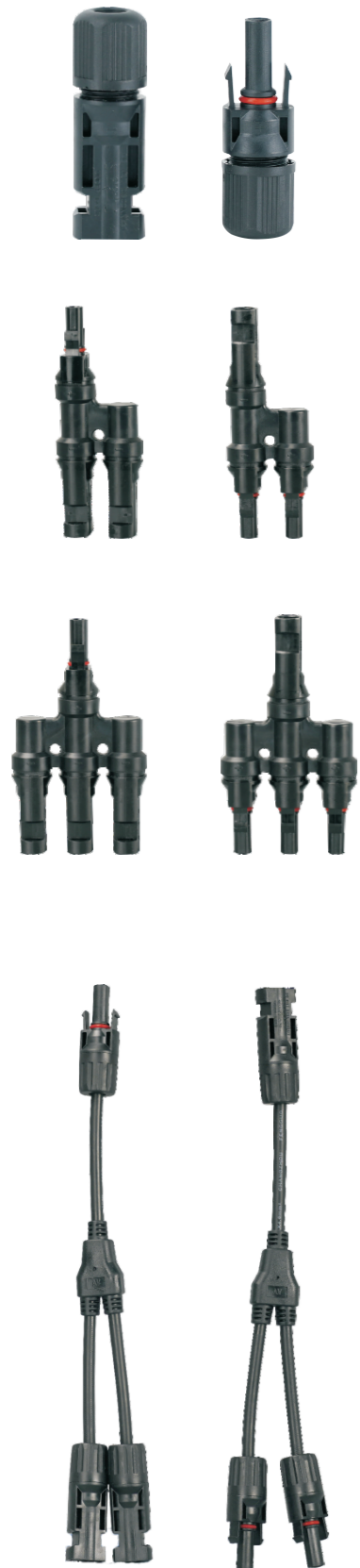
Mainly used for the connection of solar panels and inverters. With a withstand voltage of up to DC1500V and using the new standard photovoltaic connector IEC62852

### Features

- Makes photovoltaic power generation safer
- Quick connection of photovoltaic cables and easy to install
- Extremely low contact resistance
- Waterproof and dustproof design
- Excellent resistance to high and low temperatures, fire, and UV radiation

### Selection

PvT	P		DC1500
Model	Installationcategory	Rated current	Rated voltage
Photovoltaic Special Connector	/: Plug-inconnection P: Panel installation connection Hard connection: LT2: 1-to-2 LT3: 1-to-3 LT4: 1-to-4 LT5: 1-to-5 LT6: 1-to-6 Soft connection: LTY2: 1-to-2 LTY3: 1-to-3 LTY4: 1-to-4		DC1000 DC1500
	D:Diode	10A 15A 20A	
	F:Fuse		DC1000



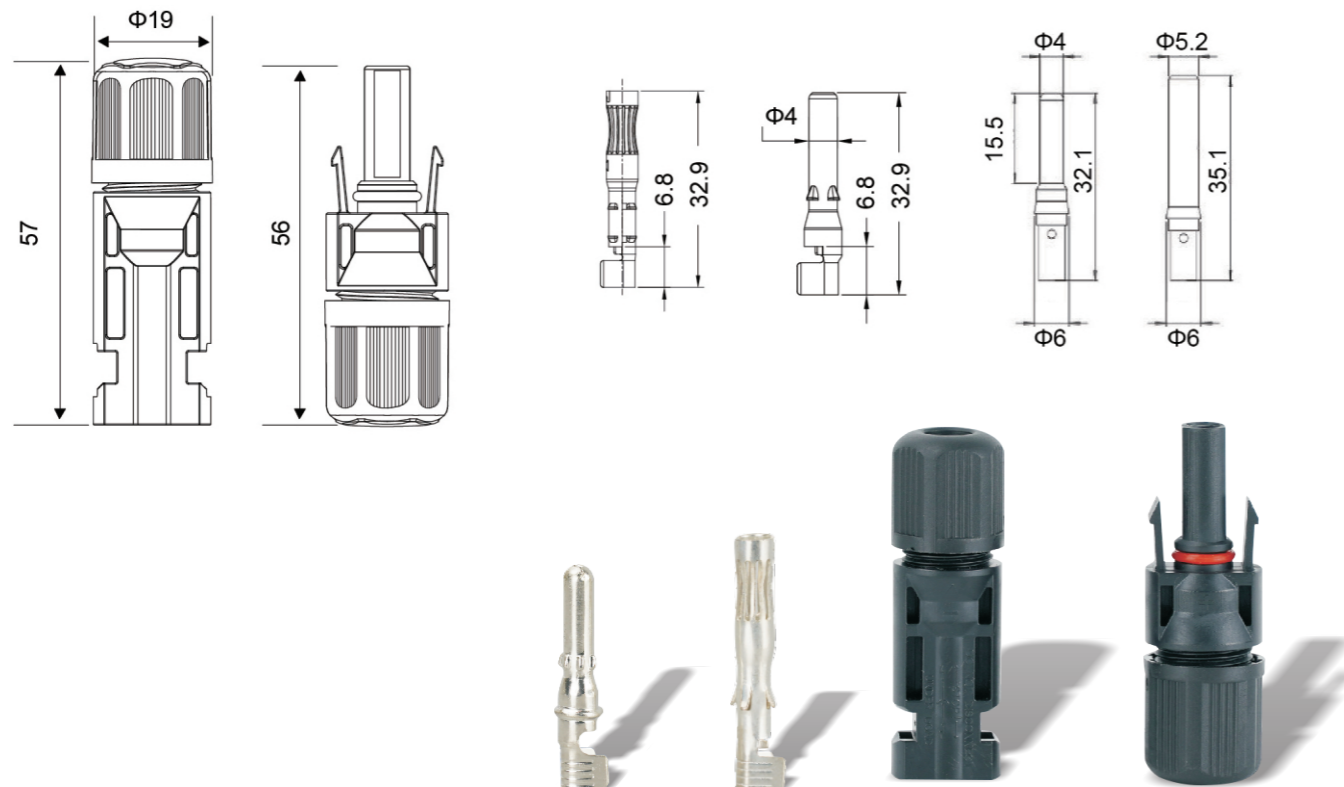
## Photovoltaic DC Accessories

### PvT DC1000 Photovoltaic Connector

#### Technical data

Connector system	Φ4mm
Rated voltage	1000V DC (IEC)
Rated current	17A (1.5mm <sup>2</sup> ) 22A (2.5mm <sup>2</sup> ; 14AWG) 30A (4mm <sup>2</sup> ; 6mm <sup>2</sup> ; 12AWG, 10AWG)
Test voltage	6kV (50Hz, 1min)
Ambient temperature range	-40°C...+90°C (IEC) -40°C...+75°C (UL)
Upper limiting temperature	+105°C (IEC)
Protection degree, mated	IP67
Touch protection level, unmated	IP2X
Contact resistance of plug connectors	0.5mΩ
Safety class	II
Contact material	Messing, verzinkt Copper Alloy, tin plated
Insulation material	PC/PPO
Locking system	Snap-in
Flame class	UL-94-Vo
Salt mist spray rest, degree of severity 5	IEC 60068-2-52

#### Overall and mounting dimensions(mm)



## Photovoltaic DC Accessories

### PvT DC1500 Photovoltaic Connector (Softconnection)

#### Technical data

Connector system	Φ4mm
Rated voltage	1500V DC(IEC) 1000V/1500V DC(UL)
Rated current	17A(1.5mm <sup>2</sup> ) 22A(2.5mm <sup>2</sup> ;14AWG) 30A(4mm <sup>2</sup> ;6mm <sup>2</sup> ;10mm <sup>2</sup> ;12AWG,10AWG)
Test voltage	6kV(50HZ,1min.)
Ambient temperature range	-40°C...+90°C(IEC) -40C...+75C(UL)
Upper limiting temper ature	+105°C(IEC)
Degree of protection,mated	IP67
unmated	IP2X
Contact resistanceof plug connectors	0.5mΩ
Safetyclass	II
Contact material	Messing,verzinkt Copper Alloy,tin plated
Insulation material	PC/PV
Locking system	Snap-in
Flame class	UL-94-V0
Salt mist spray test,degree of severity 5	IEC 60068-2-52

#### Overall and mounting dimensions(mm)

